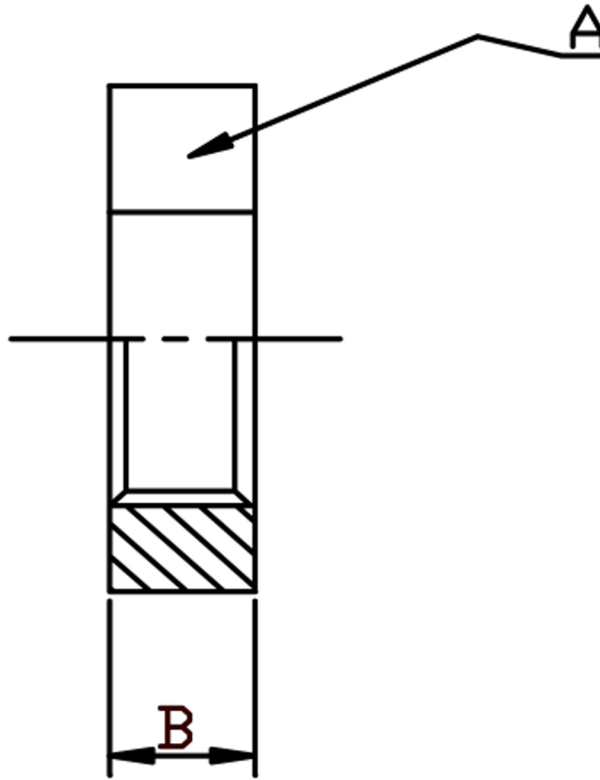


HEXAGON LOCK NUT BSPP DIN431 316L



SIZE	PART No	A	B	Kg/100
1/8	LN02/DIN431	17.2	7	1.05
1/4	LN04/DIN431	22	6	1.25
3/8	LN06/DIN431	27	7	2.00
1/2	LN08/DIN431	32	8	1.65
3/4	LN12/DIN431	36	9	2.55
1	LN16/DIN431	46	10	3.90
1-1/4	LN20/DIN431	55	11	6.25
1-1/2	LN24/DIN431	60	12	8.35
2	LN32/DIN431	75	13	13.25
2-1/2	LN40/DIN431	95	16	20.30
3	LN48/DIN431	105	19	30.70
4	LN64/DIN431	105	22	50.68

*Pressure rating up to 20 BAR (300 PSI)

*Female threads are BSPP (Parallel) to ISO 228-1

*316 CF8M stainless steel

*Investment castings

*Sizes 1/8" to 4"

DIMENSIONS SUBJECT TO CHANGE, PLEASE CONTACT US IF CRITICAL