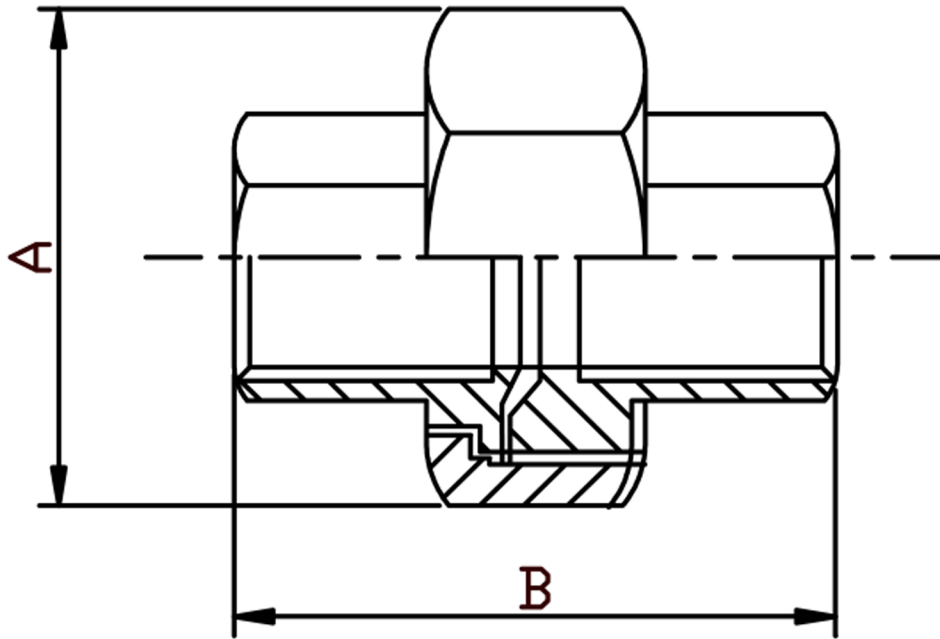


UNION CONICAL FEMALE NPT 316L



SIZE	PART No	A	B	Kg/100
1/8	UC02N	29.1	25	8.30
1/4	UC04N	29.1	33.9	9.50
3/8	UC06N	34	36	13.02
1/2	UC08N	37.5	39	14.70
3/4	UC12N	44.5	41	20.35
1	UC16N	53.5	50	36.70
1-1/4	UC20N	64	51	48.00
1-1/2	UC24N	71.5	57	65.65
2	UC32N	85.5	62	94.85
2-1/2	UC40N	108.5	68.5	201.70
3	UC48N	123.5	78	258.14
4	UC64N	153.5	91.5	419.70

*Pressure rating up to 20 BAR (300 PSI)

*Threads are NPT to ANSI B2.1

*316 CF8M stainless steel

*Investment castings

*Sizes 1/8" to 4"

DIMENSIONS SUBJECT TO CHANGE, PLEASE CONTACT US IF CRITICAL