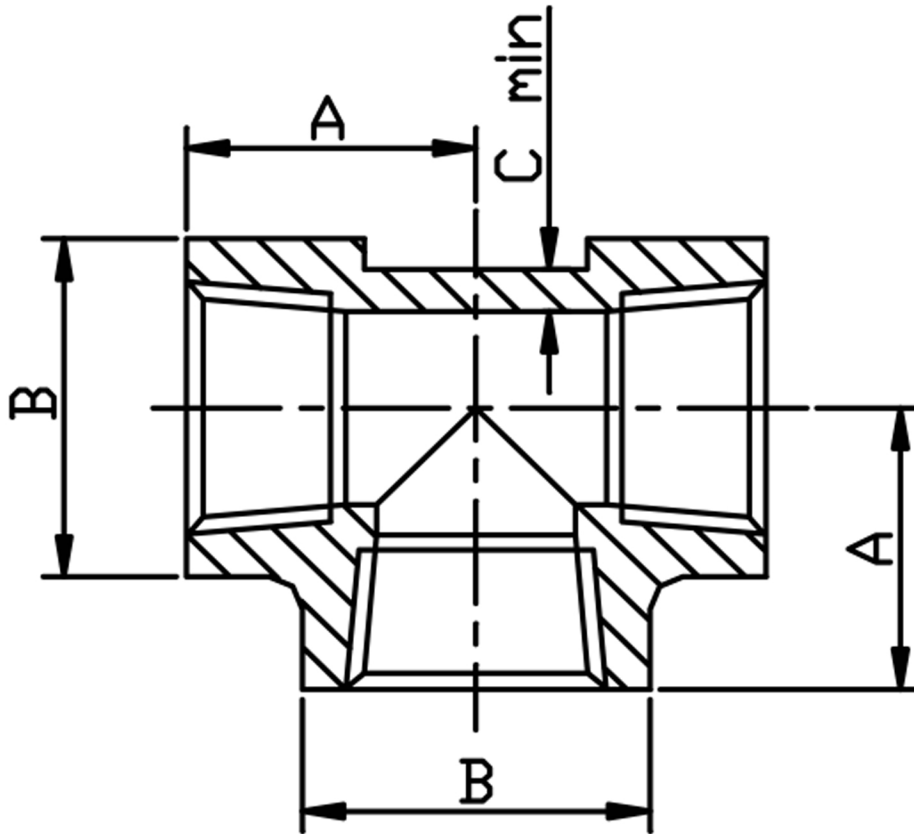


### EQUAL TEE BSPT 316L



| SIZE  | PART No | A  | B  | C   | Kg/100 |
|-------|---------|----|----|-----|--------|
| 1/4   | 3T04T   | 25 | 25 | 3.5 | 19.3   |
| 3/8   | 3T06T   | 29 | 33 | 3.5 | 37.8   |
| 1/2   | 3T08T   | 33 | 38 | 4.0 | 57.1   |
| 3/4   | 3T12T   | 38 | 46 | 4.5 | 85.5   |
| 1     | 3T16T   | 44 | 56 | 5.0 | 142.0  |
| 1-1/4 | 3T20T   | 51 | 62 | 5.5 | 171.4  |
| 1-1/2 | 3T24T   | 60 | 75 | 5.5 | 325.8  |
| 2     | 3T32T   | 64 | 84 | 7.0 | 344.4  |

\*BSPT threaded to ISO 7-1

\*Dimensions to ANSI B16.11/BS3799

\*3000 LB rating

\*Sizes 1/4" to 2"

\*316L stainless steel

\*Larger sizes are available

\*\*DIMENSIONS SUBJECT TO CHANGE, PLEASE CONTACT US IF CRITICAL\*\*