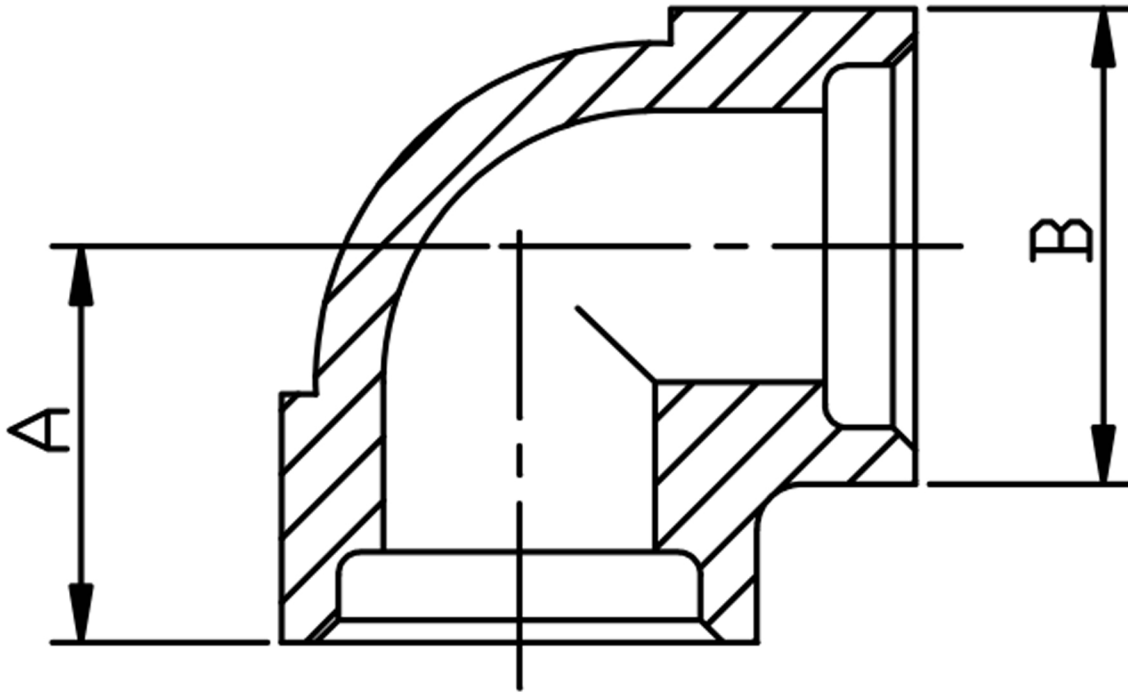


90° ELBOW SOCKET WELD 316L



SIZE SW	PART No	A	B	Kg/100
1/2	6E08SW	19.5	33.8	4.51
3/4	6E12SW	22.5	41.2	7.50
1	6E16SW	27	49.85	12.50

*Socket Weld ends (SW)

*Dimensions to ANSI B16.11/BS3799

*6000 LB rating

*Sizes 1/2" to 1"

*316L stainless steel

*Larger sizes are available

****DIMENSIONS SUBJECT TO CHANGE, PLEASE CONTACT US IF CRITICAL****