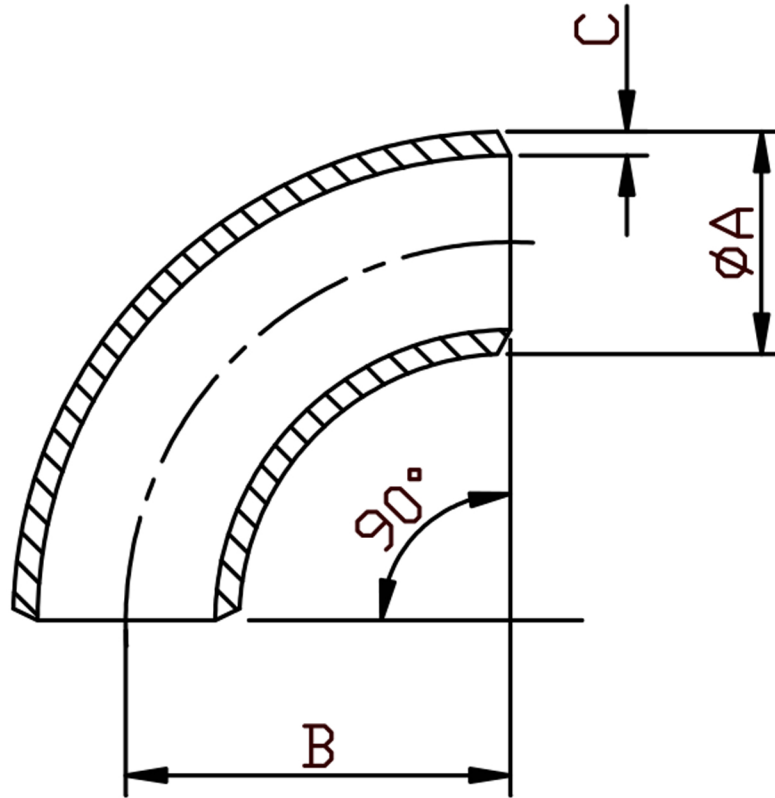


### LONG RADIUS ELBOW 90 SCH10 304/L



SIZE	PART NUMBER	A	B	C	Kg/100
1/2	BE08/1-304	21.3	38.1	2.11	6.1
3/4	BE12/1-304	26.6	28.6	2.11	7.8
1	BE16/1-304	33.4	38.1	2.77	12.8
1 1/4	BE20/1-304	42.1	47.6	2.77	20.6
1 1/2	BE24/1-304	48.1	57.2	2.77	28.3
2	BE32/1-304	60.3	76.2	2.77	47.8
2 1/2	BE40/1-304	73.0	95.2	3.05	81.2
3	BE48/1-304	88.9	114.0	3.05	114
4	BE64/1-304	114.3	152.0	3.05	197
5	BE80/1-304	141.3	190.0	3.40	342
6	BE96/1-304	168.3	228.6	3.40	487
8	BE128/1-304	219.08	305.0	3.76	1020
10	BE160/1-304	273.0	381.0	4.19	1815

\*Conforming to ASTM A403, ANSI B16.9, ANSI B16.28  
 \*304/L Stainless steel Welded  
 \*Schedule 10S Wall thickness  
 \*Sizes 1/2" to 10" Nominal Bore

\*\*DIMENSIONS SUBJECT TO CHANGE, PLEASE CONTACT US IF CRITICAL\*\*