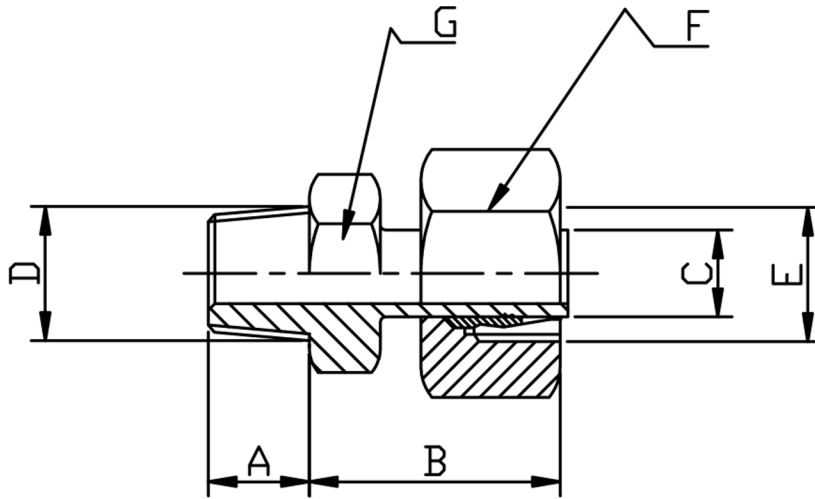


ADJUSTABLE MALE STANDPIPE NPT



TUBE	D NPT	PART No	A	B	C	E	F	G	PN BAR	Kg 100
LIGHT SERIES										
6	1/8	AMS06L18NPT	9.9	23.0	6	M12 x 1.5	14	14	315	2.3
8	1/4	AMS08L14NPT	15.1	27.5	8	M14 x 1.5	17	17		5.2
10	1/4	AMS10L14NPT	15.1	25.5	10	M16 x 1.5	19	19		4.8
12	3/8	AMS12L38NPT	15.2	32.0	12	M18 x 1.5	22	22		8.6
15	1/2	AMS15L12NPT	19.8	29.0	15	M22 x 1.5	27	27		11.9
18	1/2	AMS18L12NPT	19.8	28.5	18	M26 x 1.5	32	27		13.3
22	3/4	AMS22L34NPT	20.1	29.5	22	M30 x 2	36	32	160	18.7
28	1	AMS28L1NPT	25.0	32.0	28	M36 x 2	41	41		26.6
35	1-1/4	AMS35L114NPT	25.6	39.5	35	M45 x 2	50	50		44.1
42	1-1/2	AMS42L112NPT	26.0	43.5	42	M52 x 2	60	55		63.4
HEAVY SERIES										
6	1/4	AMS06S14NPT	10.0	25.0	6	M14 X 1.5	17	19	630	4.5
8	1/4	AMS08S14NPT	15.1	27.5	8	M16 X 1.5	19	19		5.6
10	3/8	AMS10S38NPT	15.2	29.5	10	M18 X 1.5	22	22		8.4
12	3/8	AMS12S38NPT	15.2	31.5	12	M20 X 1.5	24	22		9.6
14	1/2	AMS14S12NPT	19.8	33.5	14	M22 X 1.5	27	27		14.7
16	1/2	AMS16S12NPT	19.8	34.0	16	M24 X 1.5	30	27	400	15.8
20	3/4	AMS20S34NPT	20.1	40.0	20	M30 X 2	36	32		25.6
25	1	AMS25S1NPT	25.0	45.0	25	M36 X 2	46	41		49.9
30	1-1/4	AMS30S114NPT	25.6	48.0	30	M42 X 2	50	50		66.6
38	1-1/2	AMS38S112NPT	26.0	57.0	38	M52 X 2	60	55		315

*316Ti Stainless Steel

*Pressures up to 630 BAR

*Dimensions to EN ISO 8434-1/DIN 2353

*Sizes 6mm to 42mm

DIMENSIONS SUBJECT TO CHANGE, PLEASE CONTACT US IF CRITICAL