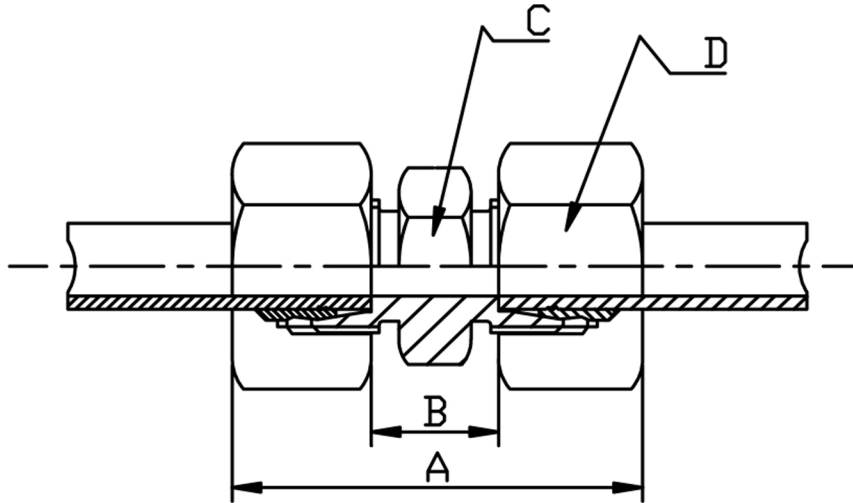


EQUAL COUPLING



TUBE	PART No	A	B	C	D	PN BAR	Kg 100
LIGHT SERIES							
4	SC04LL	31	12	9	10	100	1.5
6	SC06LL	32	9	11	12		2.0
8	SC08LL	35	12	12	14		2.6
6	SC06L	39	10	12	14	315	3.5
8	SC08L	40	11	14	17		5.0
10	SC10L	42	13	17	19		6.5
12	SC12L	43	14	19	22		8.4
15	SC15L	46	16	24	27		13.9
18	SC18L	48	16	27	32	160	20.1
22	SC22L	52	20	32	36		27.4
28	SC28L	54	21	41	41		34.1
35	SC35L	63	20	46	50		54.3
42	SC42L	66	21	55	60		81.9
HEAVY SERIES							
6	SC06S	45	16	14	17	630	6.1
8	SC08S	47	18	17	19		7.9
10	SC10S	49	17	19	22		10.8
12	SC12S	51	19	22	24		13.3
14	SC14S	57	22	24	27		18.4
16	SC16S	57	21	27	30	400	22.7
20	SC20S	66	23	32	36		36.9
25	SC25S	74	26	41	46		69.7
30	SC30S	80	27	46	50		82.5
38	SC38S	90	29	55	60		315

*316Ti Stainless Steel

*Pressures up to 630 BAR

*Dimensions to EN ISO 8434-1/DIN 2353

*Sizes 4mm to 42mm

****DIMENSIONS SUBJECT TO CHANGE, PLEASE CONTACT US IF CRITICAL****