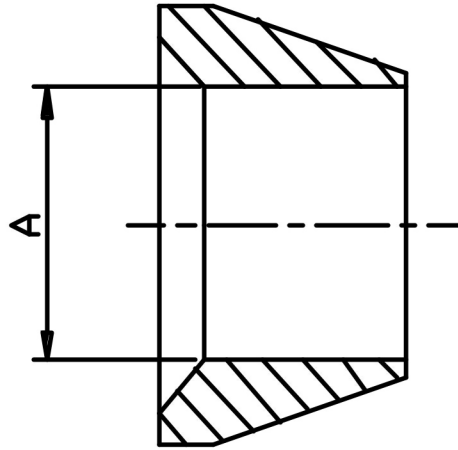


FRONT FERRULE (METRIC)



A TUBE	PART No	Kg/100
4	4mFC	0.10
6	6mFC	0.10
8	8mFC	0.20
10	10mFC	0.25
12	12mFC	0.30
15	15mFC	0.35
16	16mFC	0.40
20	20mFC	0.45
22	22mFC	0.89
25	25mFC	1.20

*316 Stainless Steel

*Metric sizes 4mm to 25mm

*To be used with rear ferrule

DIMENSIONS SUBJECT TO CHANGE, PLEASE CONTACT US IF CRITICAL