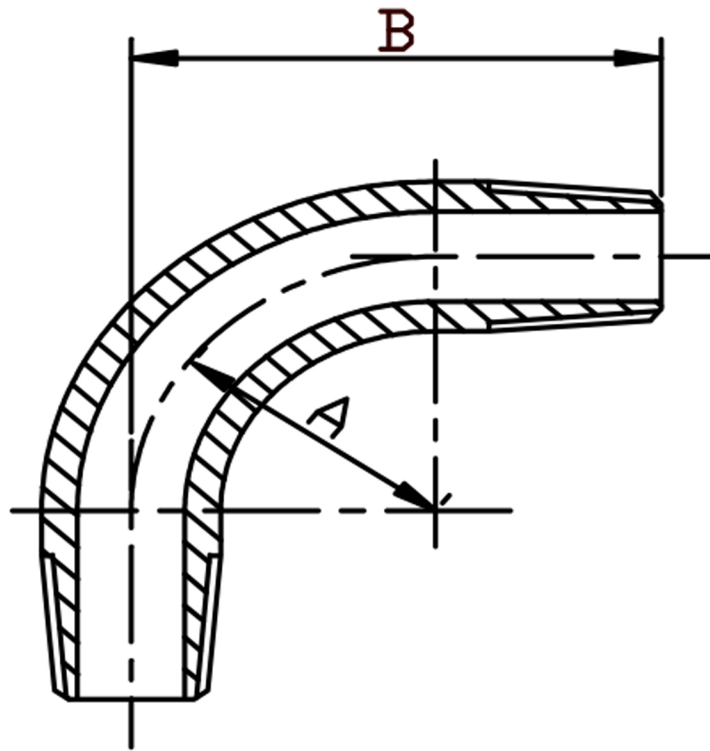


MALE BEND 90° BSPT 316L



SIZE	PART No	A	B	Kg/100
1/8	MB02	25.6	56	5.02
1/4	MB04	31.8	64	8.05
3/8	MB06	38.1	73	13.11
1/2	MB08	44.5	86	22.91
3/4	MB12	57.2	102	36.31
1	MB16	76.2	121	63.72
1-1/4	MB20	88.9	146	104
1-1/2	MB24	108	165	139.14
2	MB32	152.4	203	228.85

- *Pressure rating up to 50 BAR (750 PSI)
- *Male threads are BSPT (Taper) to ISO 7-1
- *316L stainless steel
- *Manufactured from pipe
- *Sizes 1/8" to 3"