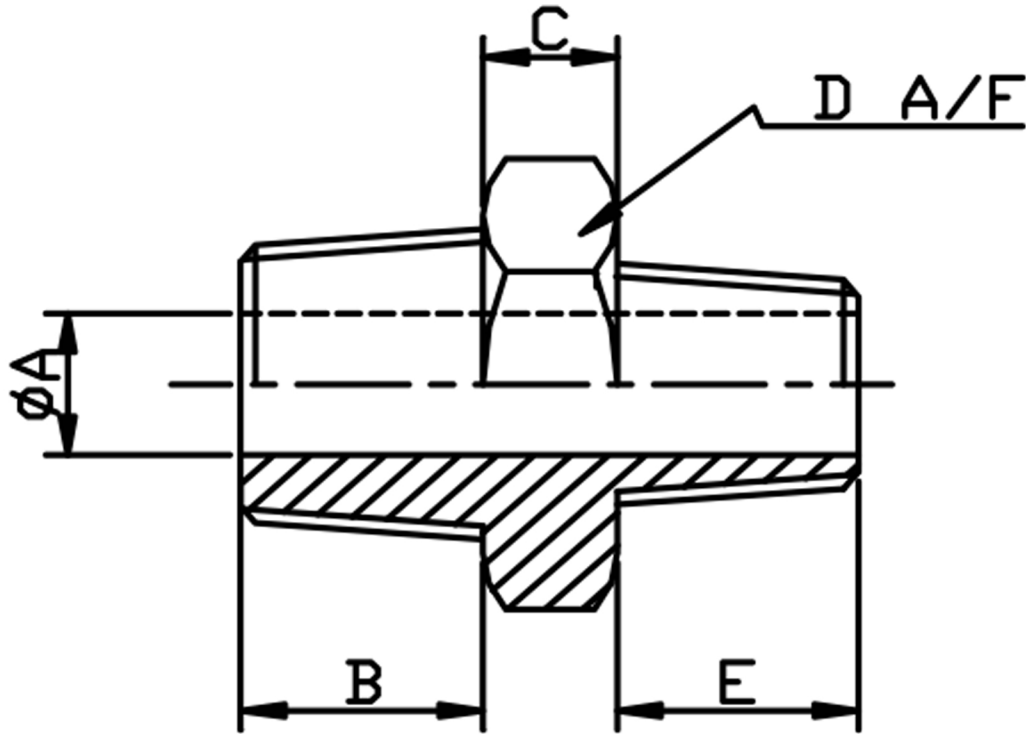


REDUCING NIPPLE BSPT 316L



SIZE	PART No	A	B	C	D	E	Kg/100
1/4 X 1/8	3RN0402T	5	13	6	16	9	2.9
3/8 X 1/8	3RN0602T	5	13	8	18	9	5.0
3/8 X 1/4	3RN0604T	8	13	8	18	13	4.9
1/2 X 1/4	3RN0804T	8	16	8	22	13	7.8
1/2 X 3/8	3RN0806T	11	16	8	22	13	7.5
3/4 X 3/8	3RN1206T	11	18	9	28	13	11.9
3/4 X 1/2	3RN1208T	14	18	9	28	16	12.5
1 X 3/8	3RN1606T	11	21	9	35	13	24.5
1 X 1/2	3RN1608T	14	21	9	35	16	23.1
1 X 3/4	3RN1612T	19	21	9	35	18	20.5
1-1/4 X 1/2	3RN2008T	14	22	14	47	15	45.0
1-1/4 X 3/4	3RN2012T	19	22	14	47	18	43.2
1-1/4 X 1	3RN2016T	24	22	14	47	21	40.4
1-1/2 X 3/4	3RN2412T	19	22	16	52	18	58.0
1-1/2 X 1	3RN2416T	24	22	16	52	21	56.2
1-1/2 X 1-1/4	3RN2420T	32	22	16	52	22	56.3
2 X 1	3RN3216T	24	24	18	64	21	95.0
2 X 1-1/4	3RN3220T	32	24	18	64	22	90.0
2 X 1-1/2	3RN3224T	38	24	18	64	22	82.2

*BSPT threaded to ISO 7-1

*Dimensions to ANSI B16.11/BS3799

*3000 LB rating

*Sizes 1/8" to 2"

*316L stainless steel

*Larger sizes are available

DIMENSIONS SUBJECT TO CHANGE, PLEASE CONTACT US IF CRITICAL