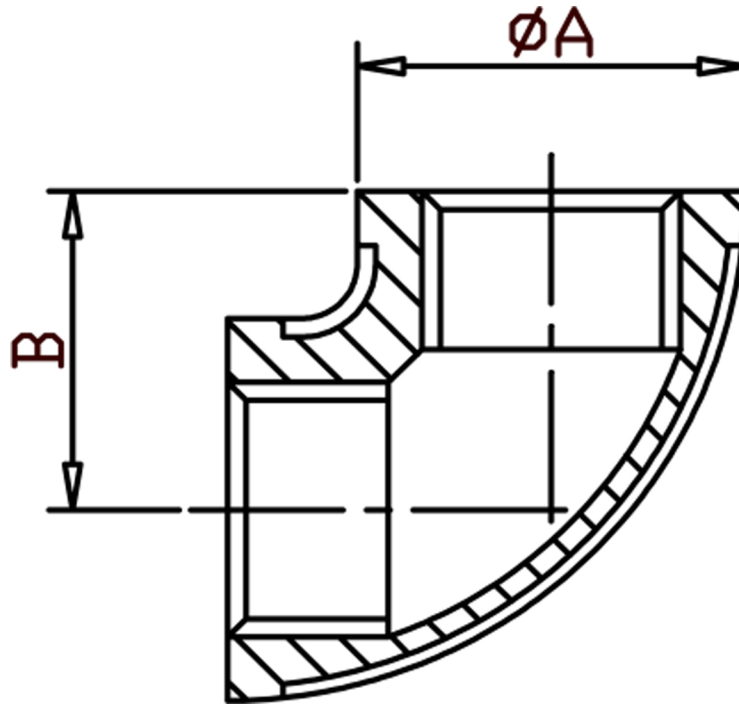


90° ELBOW NPT 316L



SIZE	PART No	A	B	Kg/100
1/8	E02N	13.5	14	1.37
1/4	E04N	17	19	2.86
3/8	E06N	21.5	21	3.92
1/2	E08N	25.5	25.5	6.00
3/4	E12N	31.3	28	8.48
1	E16N	38.7	33	14.35
1-1/4	E20N	48	40	23.03
1-1/2	E24N	53.7	43	28.03
2	E32N	66.7	52	51.48
2-1/2	E40N	84	61	82.10
3	E48N	98	71	132.68
4	E64N	124	89	216.32

*Pressure rating up to 20 BAR (300 PSI)

*Threads are NPT to ANSI B2.1

*316 CF8M stainless steel

*Investment castings

*Sizes 1/8" to 4"

DIMENSIONS SUBJECT TO CHANGE, PLEASE CONTACT US IF CRITICAL