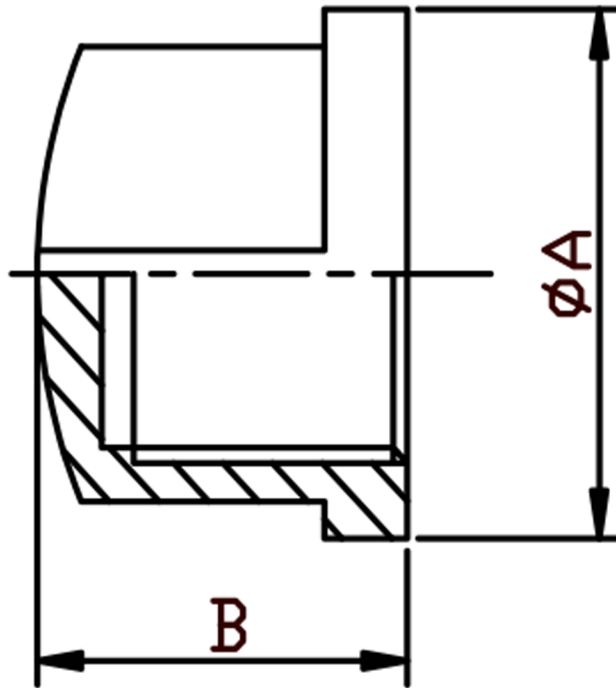


ROUND CAP NPT 316L



SIZE	PART No	A	B	Kg/100
1/8	RC02N	16.5	11.5	1.40
1/4	RC04N	19.8	13.4	2.15
3/8	RC06N	21.4	16.9	2.30
1/2	RC08N	25.6	18.6	3.35
3/4	RC12N	31.8	20	5.35
1	RC16N	39	23	8.60
1-1/4	RC20N	48.4	26.2	14.40
1-1/2	RC24N	54.4	26.2	16.36
2	RC32N	67	31	26.12
2-1/2	RC40N	84	31.7	41.30
3	RC48N	98	35.1	66.46
4	RC64N	124	41.6	119.24

*Pressure rating up to 20 BAR (300 PSI)

*Female threads are NPT to ANSI B2.1

*316 CF8M stainless steel

*Investment castings

*Sizes 1/8" to 4"

DIMENSIONS SUBJECT TO CHANGE, PLEASE CONTACT US IF CRITICAL