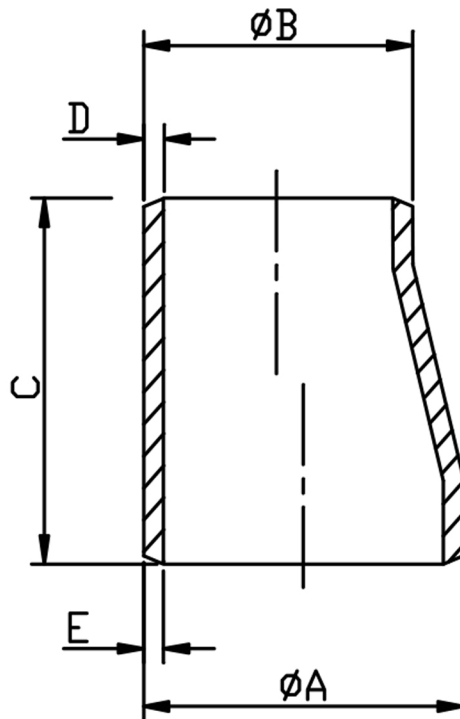


ECCENTRIC REDUCER SCH10 304/L



SIZE	PART No	A OD	B OD	C	D	E	Kg/100
3/4 X 1/2	BER1208/1-304	26.6	21.3	38.1	2.11	2.11	9
1 X 1/2	BER1608/1-304	33.4	21.3	50.8	2.11	2.77	9
1 X 3/4	BER1612/1-304	33.4	26.6	50.8	2.11	2.77	9.8
1-1/4 X 1	BER2016/1-304	42.1	33.4	50.8	2.77	2.77	12.5
1-1/2 X 1/2	BER2408/1-304	48.3	21.3	63.5	2.11	2.77	15.4
1-1/2 X 3/4	BER2412/1-304	48.3	26.6	63.5	2.11	2.77	15.6
1-1/2 X 1	BER2416/1-304	48.3	33.4	63.5	2.77	2.77	17
1-1/2 X 1-1/4	BER2420/1-304	48.3	42.1	63.5	2.77	2.77	19.5
2 X 3/4	BER3212/1-304	60.3	26.6	76.2	2.11	2.77	21.4
2 X 1	BER3216/1-304	60.3	33.4	76.2	2.77	2.77	23.7
2 X 1-1/4	BER3220/1-304	60.3	42.1	76.2	2.77	2.77	25.8
2 X 1-1/2	BER3224/1-304	60.3	48.3	76.2	2.77	2.77	27.3
2-1/2 X 1-1/2	BER4024/1-304	73	48.3	88.9	2.77	3.05	39.6
2-1/2 X 2	BER4032/1-304	73	60.3	88.9	2.77	3.05	43.2
3 X 1-1/2	BER4824/1-304	88.9	48.3	88.9	2.77	3.05	44.4
3 X 2	BER4832/1-304	88.9	60.3	88.9	2.77	3.05	47.8
3 X 2-1/2	BER4840/1-304	88.9	73	88.9	3.05	3.05	54.8
4 X 2	BER6432/1-304	114.3	60.3	101.6	2.77	3.05	65.6
4 X 2-1/2	BER6440/1-304	114.3	73	101.6	3.05	3.05	70.6
4 X 3	BER6448/1-304	114.3	88.9	101.6	3.05	3.05	74.8
5 X 3	BER8048/1-304	141.3	88.9	127	3.05	3.40	120
5 X 4	BER8064/1-304	141.3	114.3	127	3.05	3.40	132
6 X 3	BER9648/1-304	168.3	88.9	139.7	3.05	3.40	150
6 X 4	BER9664/1-304	168.3	114.3	139.7	3.05	3.40	162
6 X 5	BER9680/1-304	168.3	141.3	139.7	3.40	3.40	175

- *Conforming to ASTM A403, ANSI B16.9, ANSI B16.28
- *304/L Stainless steel Welded
- *Schedule 10S Wall thickness
- *Sizes 1/2" to 6" Nominal Bore

DIMENSIONS SUBJECT TO CHANGE, PLEASE CONTACT US IF CRITICAL