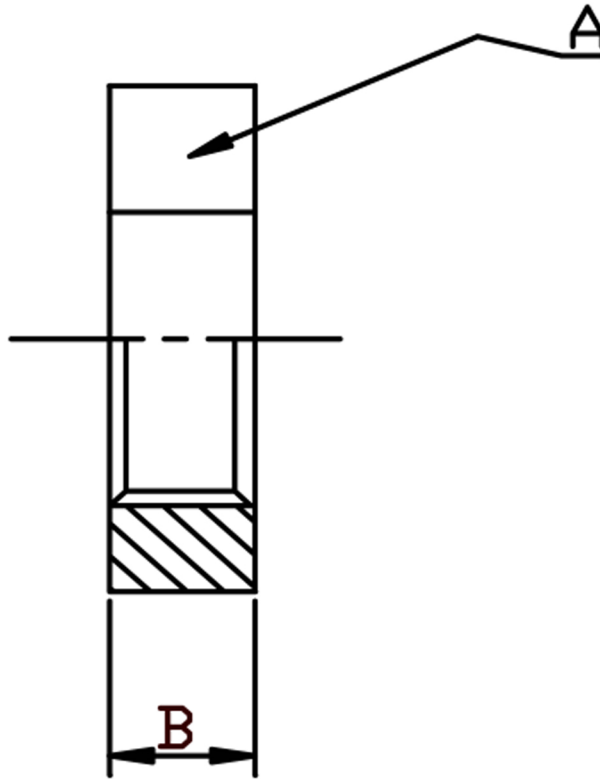


HEXAGON LOCK NUT BSPP 316L



SIZE	PART No	A	B	Kg/100
1/8	LN02	17.2	7.1	1.05
1/4	LN04	19	7.5	1.25
3/8	LN06	24	7.7	2.00
1/2	LN08	24.5	8.5	1.65
3/4	LN12	30	9.8	2.55
1	LN16	37.5	10.5	3.90
1-1/4	LN20	46.5	11.7	6.25
1-1/2	LN24	53	12.6	8.35
2	LN32	65.5	14.2	13.25
2-1/2	LN40	82	17	20.30
3	LN48	95.5	20	30.70
4	LN64	121.5	22.9	50.68

*Pressure rating up to 20 BAR (300 PSI)

*Female threads are BSPP (Parallel) to ISO 228-1

*316 CF8M stainless steel

*Investment castings

*Sizes 1/8" to 4"

DIMENSIONS SUBJECT TO CHANGE, PLEASE CONTACT US IF CRITICAL