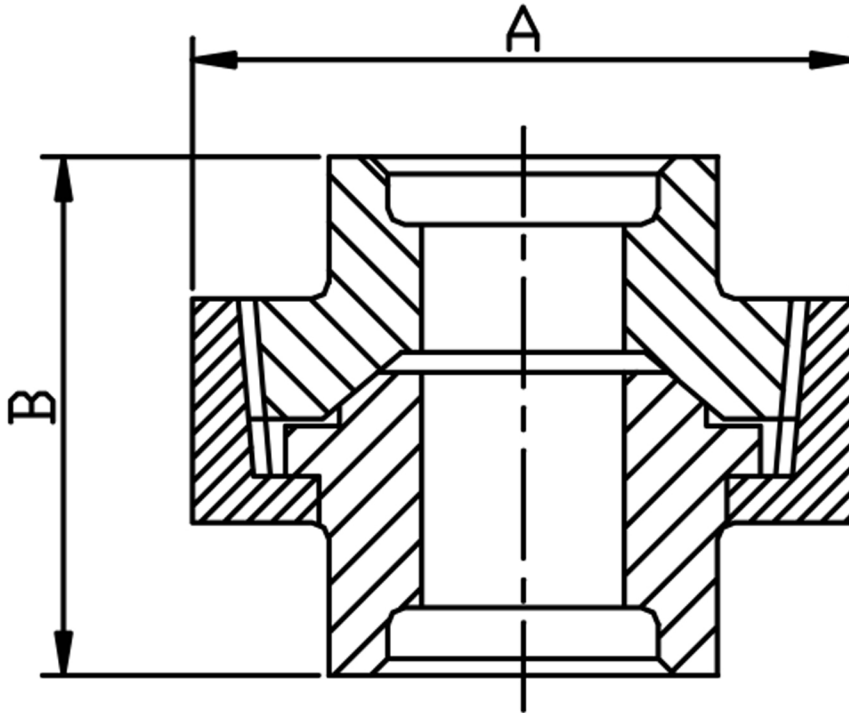


FEMALE UNION SOCKET WELD 316L



SIZE SW	PART No	A	B	Kg/100
1/2	6UC08SW	60	69	10.08
3/4	6UC12SW	72	72	14.09
1	6UC16SW	80	80	23.91

*Socket weld ends (SW)

*Dimensions to ANSI B16.11/BS3799

*6000 LB rating

*Sizes 1/2" to 1"

*316L stainless steel

*Larger sizes are available

****DIMENSIONS SUBJECT TO CHANGE, PLEASE CONTACT US IF CRITICAL****