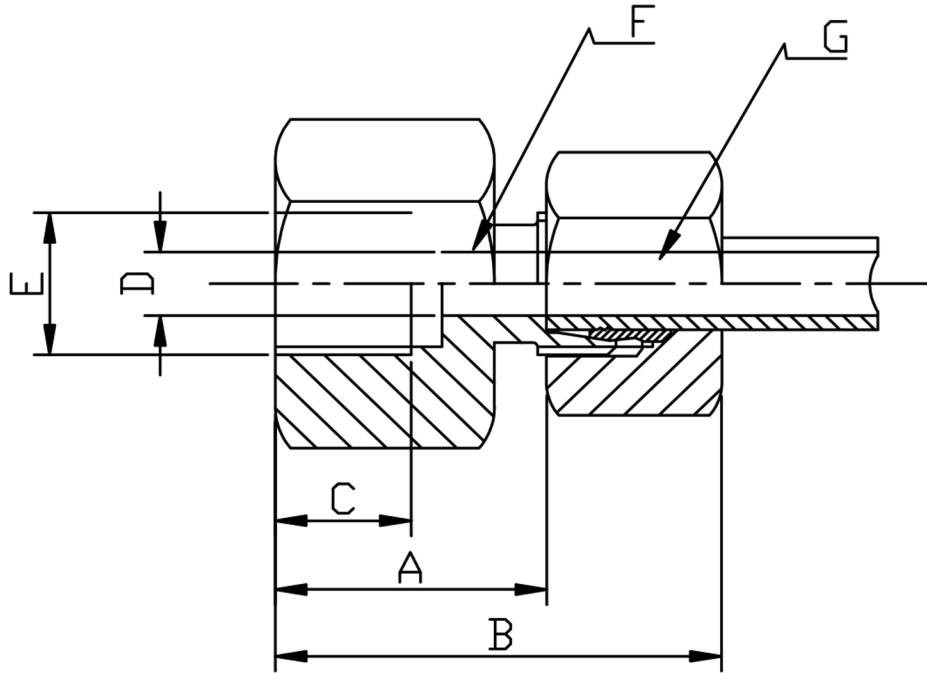


FEMALE STUD COUPLING BSPP



TUBE	E BSPP	PART No	A	B	C	D	F	G	PN BAR	Kg 100
LIGHT SERIES										
6	1/8	FSC06L18BSPP	19.0	34	12.0	4	14	14	315	2.6
6	1/4	FSC06L14BSPP	24.0	39	17.0	4	19	14		4.0
8	1/4	FSC08L14BSPP	24.0	39	17.0	6	19	17		5.5
10	1/4	FSC10L14BSPP	25.0	40	17.0	8	19	19		6.0
12	3/8	FSC12L38BSPP	26.0	41	17.0	10	24	22		9.2
12	1/2	FSC12L12BSPP	31.0	46	20.0	10	27	22		11.2
15	3/8	FSC15L38BSPP	27.0	42	17.0	11	24	27		11.0
15	1/2	FSC15L12BSPP	31.0	46	20.0	12	27	27		13.2
18	1/2	FSC18L12BSPP	30.5	47	20.0	15	27	32		15.7
22	3/4	FSC22L34BSPP	35.5	52	22.0	19	36	36		27.0
28	1	FSC28L1BSPP	38.0	55	24.5	24	41	41	31.1	
35	1-1/4	FSC35L114BSPP	41.0	63	26.5	30	55	50	42.0	
42	1-1/2	FSC42L112BSPP	42.5	65	28.5	36	60	60	60.5	
HEAVY SERIES										
6	1/4	FSC06S14BSPP	26.0	41	17	4	19	17	630	6.0
8	1/4	FSC08S14BSPP	26.0	41	17.0	5	19	19		5.9
10	3/8	FSC10S38BSPP	26.5	43	17.0	7	24	22		10.2
12	3/8	FSC12S38BSPP	26.5	43	17.0	8	24	24		9.8
14	1/2	FSC14S12BSPP	32.0	50	20.0	10	27	27		14.8
16	1/2	FSC16S12BSPP	31.5	50	20.0	12	27	30	19.5	
20	3/4	FSC20S34BSPP	34.5	56	22.0	16	36	36	30.7	
25	1	FSC25S1BSPP	37.5	62	24.5	20	41	46	46.6	
30	1-1/4	FSC30S114BSPP	42.0	69	26.5	25	55	50	74.1	
38	1-1/2	FSC38S112BSPP	43.5	74	28.5	32	60	60	315	85.5

*316Ti Stainless Steel

*Pressures up to 630 BAR

*Dimensions to EN ISO 8434-1/DIN 2353

*Sizes 6mm to 42mm

DIMENSIONS SUBJECT TO CHANGE, PLEASE CONTACT US IF CRITICAL