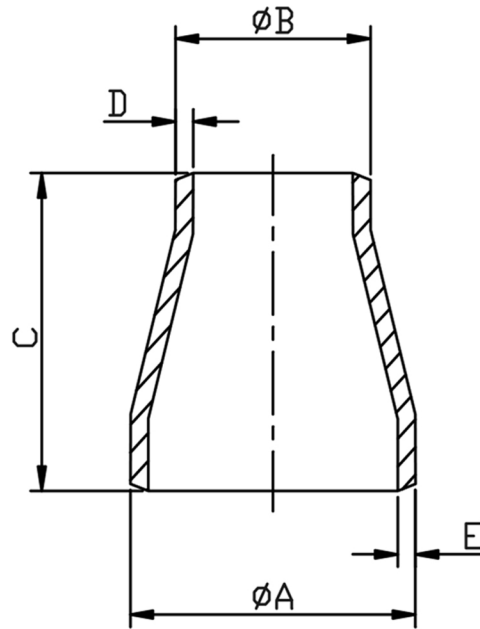


### CONCENTRIC REDUCER SCH40 304/L



SIZE	PART No	A OD	B OD	C	D	E	Kg/100
3/4 X 1/2	BCR1208/4-304	26.6	21.3	38.1	2.77	2.87	7
1 X 1/2	BCR1608/4-304	33.4	21.3	50.8	2.77	3.38	13
1 X 3/4	BCR1612/4-304	33.4	26.6	50.8	2.87	3.38	13
1-1/4 X 1	BCR2016/4-304	42.1	33.4	50.8	3.38	3.56	18
1-1/2 X 1/2	BCR2408/4-304	48.3	21.3	63.5	2.77	3.68	26
1-1/2 X 3/4	BCR2412/4-304	48.3	26.6	63.5	2.87	3.68	26
1-1/2 X 1	BCR2416/4-304	48.3	33.4	63.5	3.38	3.68	26
1-1/2 X 1-1/4	BCR2420/4-304	48.3	42.1	63.5	3.56	3.68	26
2 X 3/4	BCR3212/4-304	60.3	26.6	76.2	2.87	3.91	41
2 X 1	BCR3216/4-304	60.3	33.4	76.2	3.38	3.91	41
2 X 1-1/4	BCR3220/4-304	60.3	42.1	76.2	3.56	3.91	41
2 X 1-1/2	BCR3224/4-304	60.3	48.3	76.2	3.68	3.91	41
2-1/2 X 1-1/2	BCR4024/4-304	73	48.3	88.9	3.68	5.16	77
2-1/2 X 2	BCR4032/4-304	73	60.3	88.9	3.91	5.16	77
3 X 1-1/2	BCR4824/4-304	88.9	48.3	88.9	3.68	5.49	100
3 X 2	BCR4832/4-304	88.9	60.3	88.9	3.91	4.49	100
3 X 2-1/2	BCR4840/4-304	88.9	73	88.9	5.16	5.49	100
4 X 2	BCR6432/4-304	114.3	60.3	101.6	3.91	6.02	160
4 X 2-1/2	BCR6440/4-304	114.3	73	101.6	5.16	6.02	160
4 X 3	BCR6448/4-304	114.3	88.9	101.6	5.49	6.02	160
5 X 3	BCR8048/4-304	141.3	88.9	127	5.49	6.55	275
5 X 4	BCR8064/4-304	141.3	114.3	127	6.02	6.55	275
6 X 3	BCR9648/4-304	168.3	88.9	139.7	5.49	7.11	395
6 X 4	BCR9664/4-304	168.3	114.3	139.7	6.02	7.11	395
6 X 5	BCR9680/4-304	168.3	141.3	139.7	6.55	7.11	395

\*Conforming to ASTM A403, ANSI B16.9, ANSI B16.28  
 \*304/L Stainless steel Welded  
 \*Schedule 40S Wall thickness  
 \*Sizes 1/2" to 6" Nominal Bore

\*\*DIMENSIONS SUBJECT TO CHANGE, PLEASE CONTACT US IF CRITICAL\*\*