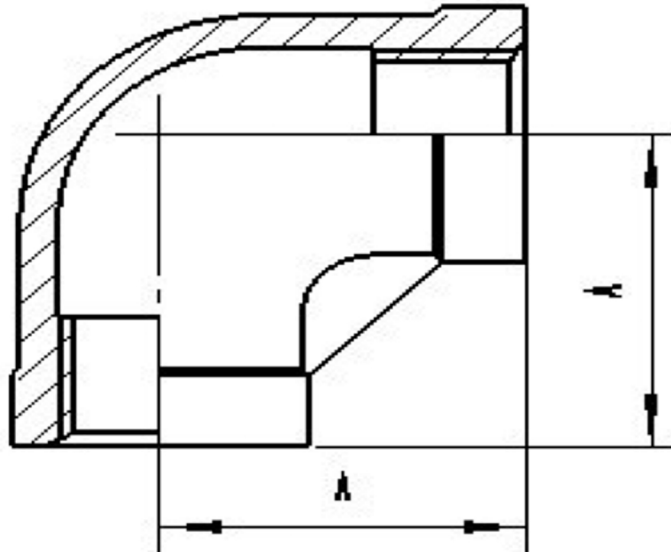


### 90° ELBOW SW 316L



SIZE	PART No	A	Kg/100
1/8	E02SW	17	1.37
1/4	E04SW	19	2.86
3/8	E06SW	22	3.92
1/2	E08SW	25	6.00
3/4	E12SW	28.5	8.48
1	E16SW	34	14.35
1-1/4	E20SW	40.5	23.03
1-1/2	E24SW	45	28.03
2	E32SW	54	51.48
2-1/2	E40SW	68	82.10
3	E48SW	77.6	132.68
4	E64SW	93.5	216.32

\*Pressure rating up to 20 BAR (300 PSI)

\*316 CF8M stainless steel

\*Investment castings

\*Sizes 1/8" to 4"

\*\*DIMENSIONS SUBJECT TO CHANGE, PLEASE CONTACT US IF CRITICAL\*\*