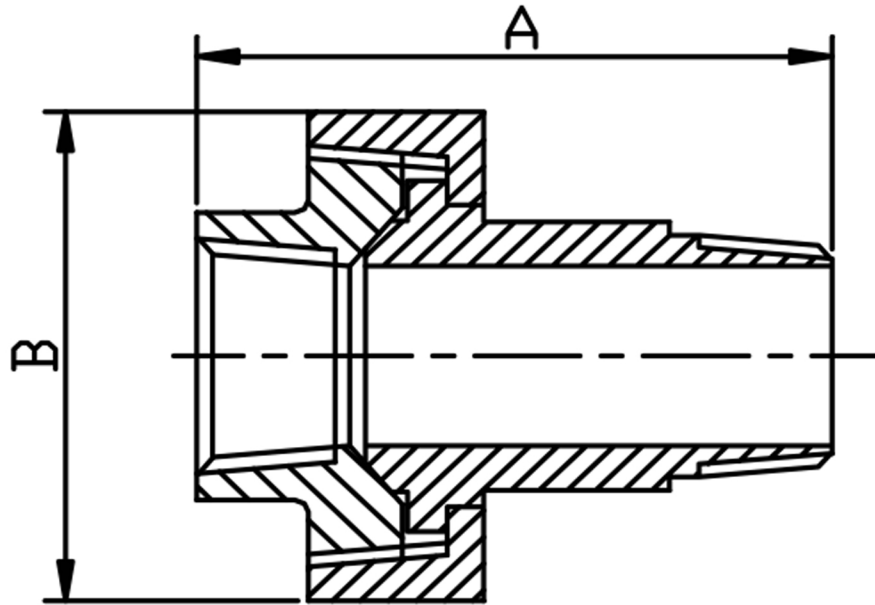


UNION CONICAL MALE/FEMALE NPT 316L



SIZE	PART No	A	B	Kg/100
1/4	3UCMF04N	61	32	19.2
3/8	3UCMF06N	69	38	42.6
1/2	3UCMF08N	75	46	41.0
3/4	3UCMF12N	80	56	60.8
1	3UCMF16N	90	65	90.5
1-1/4	3UCMF20N	98	80	120.0
1-1/2	3UCMF24N	100	88	190.0
2	3UCMF32N	120	105	270.0

*NPT threaded to ANSI B2.1

*Dimensions to ANSI B16.11/BS3799

*3000 LB rating

*Sizes 1/4" to 2"

*316L stainless steel

*Larger sizes are available

DIMENSIONS SUBJECT TO CHANGE, PLEASE CONTACT US IF CRITICAL