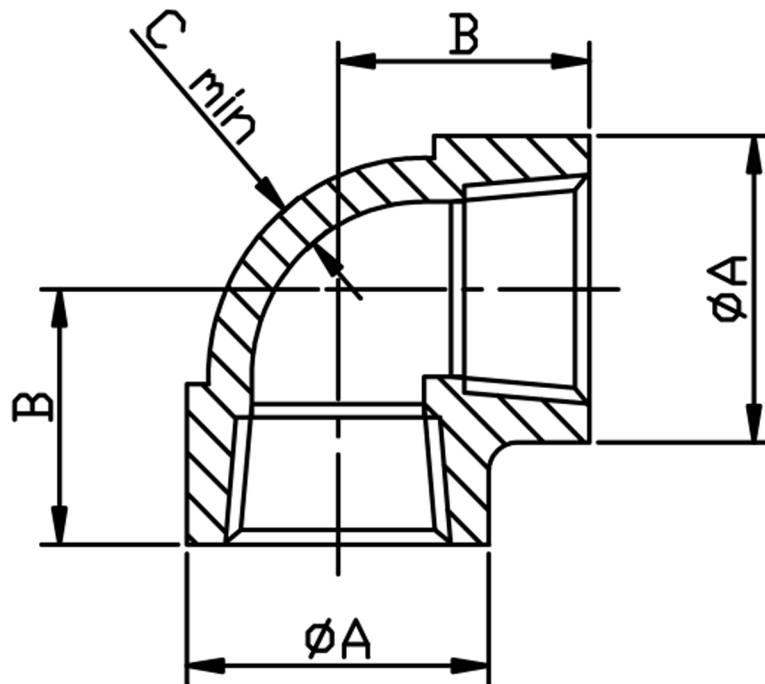


90° ELBOW NPT 316L



SIZE NPT	PART No	A	B	C	Kg/100
1/2	6E08N	46	38	8	8.03
3/4	6E12N	56	44	8.5	13.44
1	6E16N	62	51	10	17.61

*NPT threaded to ANSI B2.1

*Dimensions to ANSI B16.11/BS3799

*6000 LB rating

*Sizes 1/2" to 1"

*316L stainless steel

*Larger sizes are available

****DIMENSIONS SUBJECT TO CHANGE, PLEASE CONTACT US IF CRITICAL****