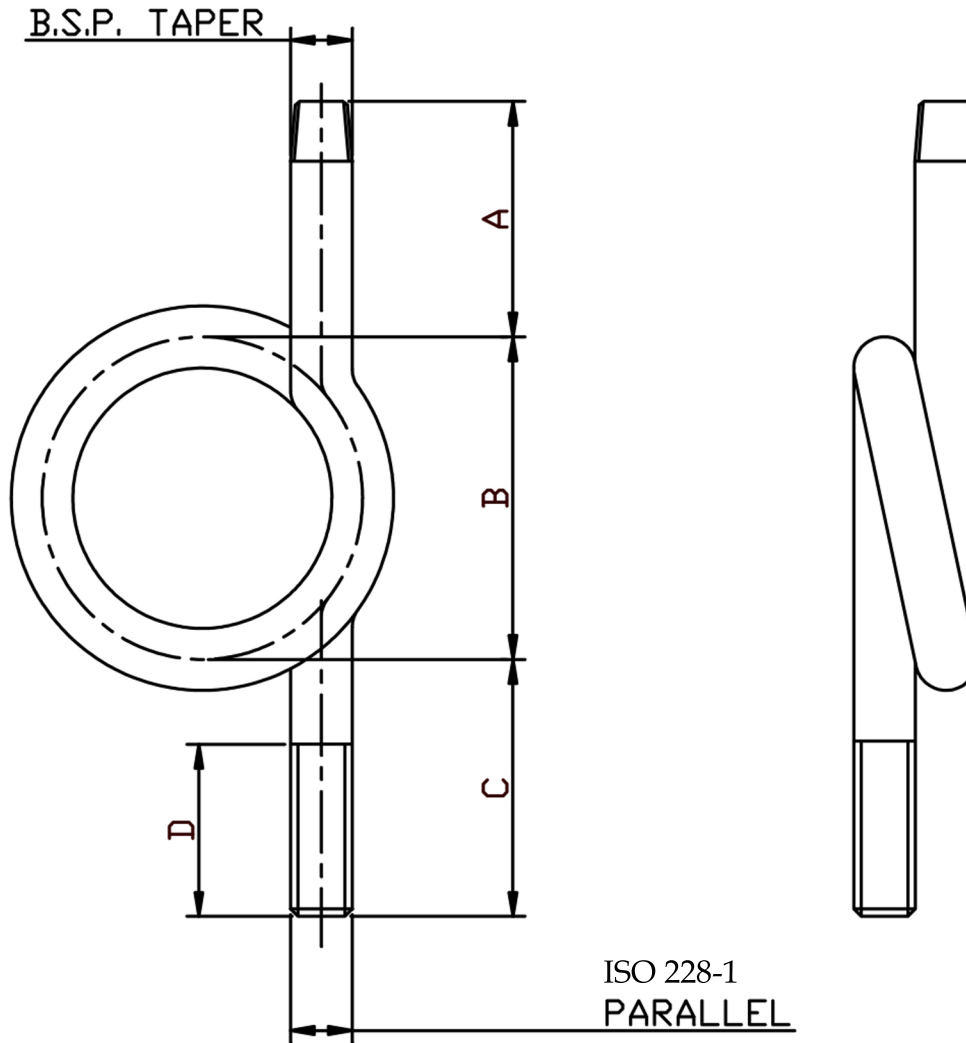


RING SYPHON (WITH 2 LOCK NUTS) 316L

(ALSO KNOWN AS PIGTAIL SYPHON)



SIZE	PART No	A	B	C	D	Kg/100
1/4	PTS04	69.5	91	91.5	38.5	34.1
3/8	PTS06	86.0	99	112.0	40.0	53.2
1/2	PTS08	104.0	100	127.0	55.0	84.4

*Pressure rating up to 50 BAR (750 PSI)

*Male threads are BSPT (Taper) to ISO 7-1 and BSPP (Parallel) to ISO 228-1

*316 CF8M stainless steel

*Manufactured from pipe

*Sizes 1/4" to 1/2"

DIMENSIONS SUBJECT TO CHANGE, PLEASE CONTACT US IF CRITICAL