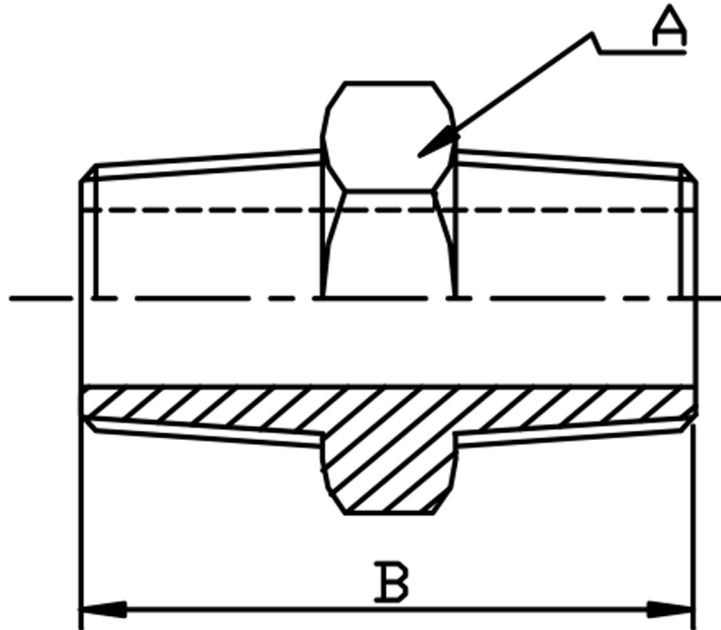


### HEXAGON NIPPLE BSPT 316L



SIZE	PART No	A	B	Kg/100
1/8	HN02	10	29.5	1.65
1/4	HN04	14.6	28	1.90
3/8	HN06	18.1	31	2.65
1/2	HN08	22.4	33.5	5.05
3/4	HN12	28	38	8.20
1	HN16	35	41.5	12.30
1-1/4	HN20	44	48.5	18.50
1-1/2	HN24	50	48.5	22.15
2	HN32	62	57	33.30
2-1/2	HN40	78	67	50.63
3	HN48	91	75	72.83
4	HN64	116	81	118.00

- \*Pressure rating up to 20 BAR (300 PSI)
- \*Male threads are BSPT (Taper) to ISO 7-1
- \*316 CF8M stainless steel
- \*Investment castings
- \*Sizes 1/8" to 4"

**\*\*DIMENSIONS SUBJECT TO CHANGE, PLEASE CONTACT US IF CRITICAL\*\***