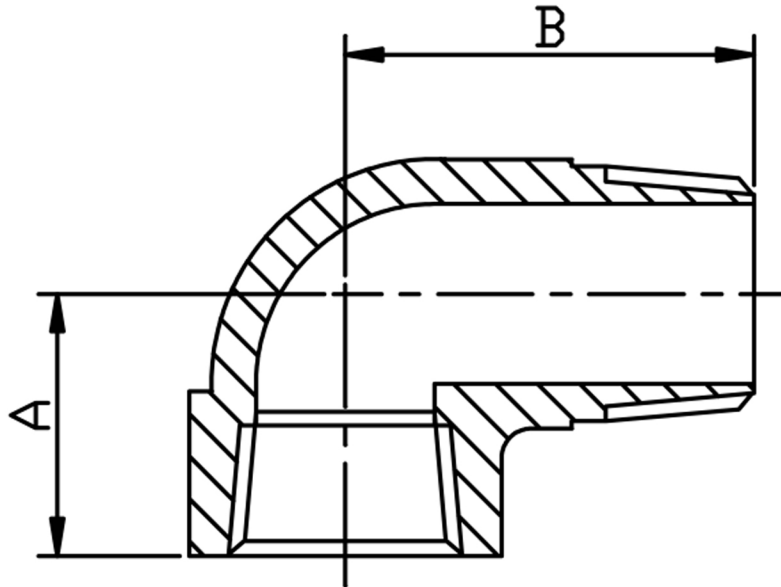


### STREET ELBOW NPT 316L



SIZE	PART No	A	B	Kg/100
1/4	<b>3SE04N</b>	25	32	15.2
3/8	<b>3SE06N</b>	30	39	24.9
1/2	<b>3SE08N</b>	34	44	32.4
3/4	<b>3SE12N</b>	38	49	50.4
1	<b>3SE16N</b>	47	59	77.2
1-1/4	<b>3SE20N</b>	53	65	103.0
1-1/2	<b>3SE24N</b>	62	75	137.0
2	<b>3SE32N</b>	68	83	236.0

\*NPT threaded to ANSI B2.1

\*Dimensions to ANSI B16.11/BS3799

\*3000 LB rating

\*Sizes 1/4" to 2"

\*316L stainless steel

\*Larger sizes are available

**\*\*DIMENSIONS SUBJECT TO CHANGE, PLEASE CONTACT US IF CRITICAL\*\***