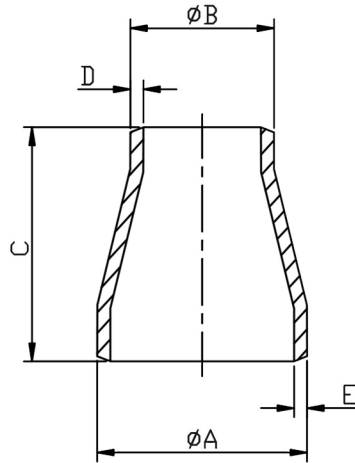


CONCENTRIC REDUCER SCH 10 304/L



| SIZE | PART No | A OD | B OD | C | D | E | Kg/100 |
|---------------|-----------------|-------|-------|-------|------|------|--------|
| 3/4 X 3/8 | BCR1206/1-304 | 26.6 | 17.15 | 35.2 | 2.11 | 2.11 | 8 |
| 3/4 X 1/2 | BCR1208/1-304 | 26.6 | 21.3 | 38.1 | 2.11 | 2.11 | 9 |
| 1 X 1/2 | BCR1608/1-304 | 33.4 | 21.3 | 50.8 | 2.11 | 2.77 | 9 |
| 1 X 3/4 | BCR1612/1-304 | 33.4 | 26.6 | 50.8 | 2.11 | 2.77 | 9.8 |
| 1-1/4 X 1/2 | BCR2008/1-304 | 42.1 | 21.3 | 50.8 | 2.11 | 2.77 | 11.9 |
| 1-1/4 X 3/4 | BCR2012/1-304 | 42.1 | 26.6 | 50.8 | 2.11 | 2.77 | 12.3 |
| 1-1/4 X 1 | BCR2016/1-304 | 42.1 | 33.4 | 50.8 | 2.77 | 2.77 | 12.5 |
| 1-1/2 X 1/2 | BCR2408/1-304 | 48.3 | 21.3 | 63.5 | 2.11 | 2.77 | 15.4 |
| 1-1/2 X 3/4 | BCR2412/1-304 | 48.3 | 26.6 | 63.5 | 2.11 | 2.77 | 15.6 |
| 1-1/2 X 1 | BCR2416/1-304 | 48.3 | 33.4 | 63.5 | 2.77 | 2.77 | 17 |
| 1-1/2 X 1-1/4 | BCR2420/1-304 | 48.3 | 42.1 | 63.5 | 2.77 | 2.77 | 19.5 |
| 2 X 1/2 | BCR3208/1-304 | 60.3 | 21.3 | 76.2 | 2.11 | 2.77 | 20.2 |
| 2 X 3/4 | BCR3212/1-304 | 60.3 | 26.6 | 76.2 | 2.11 | 2.77 | 21.4 |
| 2 X 1 | BCR3216/1-304 | 60.3 | 33.4 | 76.2 | 2.77 | 2.77 | 23.7 |
| 2 X 1-1/4 | BCR3220/1-304 | 60.3 | 42.1 | 76.2 | 2.77 | 2.77 | 25.8 |
| 2 X 1-1/2 | BCR3224/1-304 | 60.3 | 48.3 | 76.2 | 2.77 | 2.77 | 27.3 |
| 2-1/2 X 1 | BCR4016/1-304 | 73 | 33.4 | 76.2 | 2.77 | 3.05 | 31.2 |
| 2-1/2 X 1-1/4 | BCR4020/1-304 | 73 | 42.1 | 76.2 | 2.77 | 3.05 | 33.4 |
| 2-1/2 X 1-1/2 | BCR4024/1-304 | 73 | 48.3 | 88.9 | 2.77 | 3.05 | 39.6 |
| 2-1/2 X 2 | BCR4032/1-304 | 73 | 60.3 | 88.9 | 2.77 | 3.05 | 43.2 |
| 3 X 1 | BCR4816/1-304 | 88.9 | 33.4 | 88.9 | 2.77 | 3.05 | 43.9 |
| 3 X 1-1/4 | BCR4820/1-304 | 88.9 | 42.1 | 88.9 | 2.77 | 3.05 | 44.1 |
| 3 X 1-1/2 | BCR4824/1-304 | 88.9 | 48.3 | 88.9 | 2.77 | 3.05 | 44.4 |
| 3 X 2 | BCR4832/1-304 | 88.9 | 60.3 | 88.9 | 2.77 | 3.05 | 47.8 |
| 3 X 2-1/2 | BCR4840/1-304 | 88.9 | 73 | 88.9 | 3.05 | 3.05 | 54.8 |
| 4 X 1-1/2 | BCR6424/1-304 | 114.3 | 48.3 | 101.6 | 2.77 | 3.05 | 59.9 |
| 4 X 2 | BCR6432/1-304 | 114.3 | 60.3 | 101.6 | 2.77 | 3.05 | 65.6 |
| 4 X 2-1/2 | BCR6440/1-304 | 114.3 | 73 | 101.6 | 3.05 | 3.05 | 70.6 |
| 4 X 3 | BCR6448/1-304 | 114.3 | 88.9 | 101.6 | 3.05 | 3.05 | 74.8 |
| 5 X 3 | BCR8048/1-304 | 141.3 | 88.9 | 127 | 3.05 | 3.40 | 120 |
| 5 X 4 | BCR8064/1-304 | 141.3 | 114.3 | 127 | 3.05 | 3.40 | 132 |
| 6 X 3 | BCR9648/1-304 | 168.3 | 88.9 | 139.7 | 3.05 | 3.40 | 150 |
| 6 X 4 | BCR9664/1-304 | 168.3 | 114.3 | 139.7 | 3.05 | 3.40 | 162 |
| 6 X 5 | BCR9680/1-304 | 168.3 | 141.3 | 139.7 | 3.40 | 3.40 | 175 |
| 8 X 4 | BCR12864/1-304 | 219.1 | 114.3 | 152 | 3.05 | 3.76 | 192 |
| 8 X 5 | BCR12880/1-304 | 219.1 | 141.3 | 152 | 3.40 | 3.76 | 201 |
| 8 X 6 | BCR12896/1-304 | 219.1 | 168.3 | 152 | 3.40 | 3.76 | 212 |
| 10 X 6 | BCR160128/1-304 | 273.0 | 168.3 | 178 | 3.40 | 4.19 | 545 |
| 10 X 8 | BCR160128/1-304 | 273.0 | 219.1 | 178 | 3.40 | 4.19 | 545 |

- *Conforming to ASTM A403, ANSI B16.9, ANSI B16.28
- *304/L Stainless steel Welded
- *Schedule 10S Wall thickness
- *Sizes 1/2" to 10" Nominal Bore

DIMENSIONS SUBJECT TO CHANGE, PLEASE CONTACT US IF CRITICAL