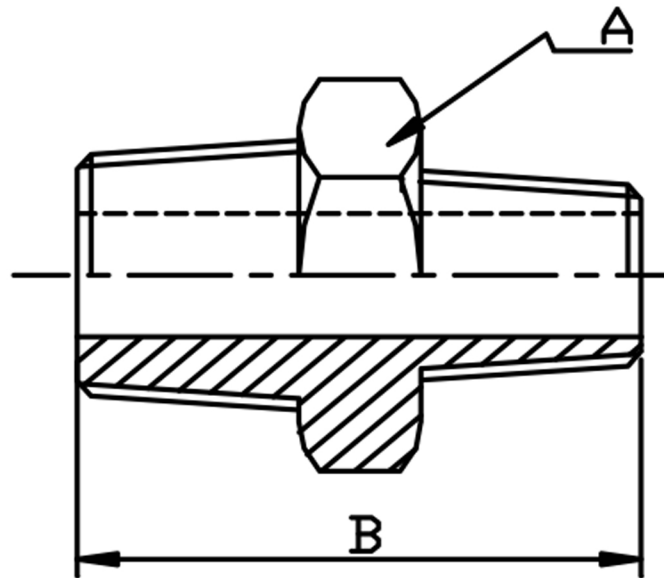


### REDUCING NIPPLE BSPT 316L



| SIZE          | PART No | A    | B    | Kg/100 |
|---------------|---------|------|------|--------|
| 1/4 X 1/8     | RN0402  | 14.5 | 10.5 | 1.38   |
| 3/8 X 1/8     | RN0602  | 18   | 11   | 2.11   |
| 3/8 X 1/4     | RN0604  | 18   | 26.5 | 2.54   |
| 1/2 X 1/8     | RN0802  | 21.4 | 14.5 | 3.19   |
| 1/2 X 1/4     | RN0804  | 21.4 | 30   | 3.60   |
| 1/2 X 3/8     | RN0806  | 21.4 | 30   | 3.66   |
| 3/4 X 1/4     | RN1204  | 27   | 31.5 | 5.25   |
| 3/4 X 3/8     | RN1206  | 27   | 32   | 5.37   |
| 3/4 X 1/2     | RN1208  | 27   | 35.5 | 6.01   |
| 1 X 1/4       | RN1604  | 34   | 34.5 | 8.41   |
| 1 X 3/8       | RN1606  | 34   | 35   | 8.53   |
| 1 X 1/2       | RN1608  | 34   | 38.5 | 9.21   |
| 1 X 3/4       | RN1612  | 34   | 39.5 | 9.87   |
| 1-1/4 X 1/2   | RN2008  | 42.7 | 41.5 | 13.37  |
| 1-1/4 X 3/4   | RN2012  | 42.7 | 42.5 | 14.06  |
| 1-1/4 X 1     | RN2016  | 42.7 | 45   | 15.58  |
| 1-1/2 X 1/2   | RN2408  | 48.6 | 41.5 | 15.73  |
| 1-1/2 X 3/4   | RN2412  | 48.6 | 42.5 | 16.44  |
| 1-1/2 X 1     | RN2416  | 48.6 | 45   | 18.05  |
| 1-1/2 X 1-1/4 | RN2420  | 48.6 | 47.5 | 19.32  |
| 2 X 1/2       | RN3208  | 60.5 | 45.5 | 24.38  |
| 2 X 3/4       | RN3212  | 60.5 | 46.5 | 25.15  |
| 2 X 1         | RN3216  | 60.5 | 49   | 26.96  |
| 2 X 1-1/4     | RN3220  | 60.5 | 51.5 | 28.35  |
| 2 X 1-1/2     | RN3224  | 60.5 | 51.5 | 28.46  |
| 2-1/2 X 1-1/2 | RN4024  | 78   | 54.5 | 44.49  |
| 2-1/2 X 2     | RN4032  | 78   | 59   | 47.79  |
| 3 X 1-1/2     | RN4824  | 91   | 58   | 62.56  |
| 3 X 2         | RN4832  | 91   | 62.5 | 65.62  |
| 3 X 2-1/2     | RN4840  | 91   | 64.5 | 65.55  |
| 4 X 2         | RN6432  | 116  | 69   | 107.57 |
| 4 X 2-1/2     | RN6440  | 116  | 71   | 105.92 |
| 4 X 3         | RN6448  | 116  | 74   | 112.31 |

\*Pressure rating up to 20 BAR (300 PSI)

\*Male threads are BSPT (Taper) to ISO 7-1

\*316 CF8M stainless steel

\*Investment castings

\*Sizes 1/8" to 4"

\*\*DIMENSIONS SUBJECT TO CHANGE, PLEASE CONTACT US IF CRITICAL\*\*