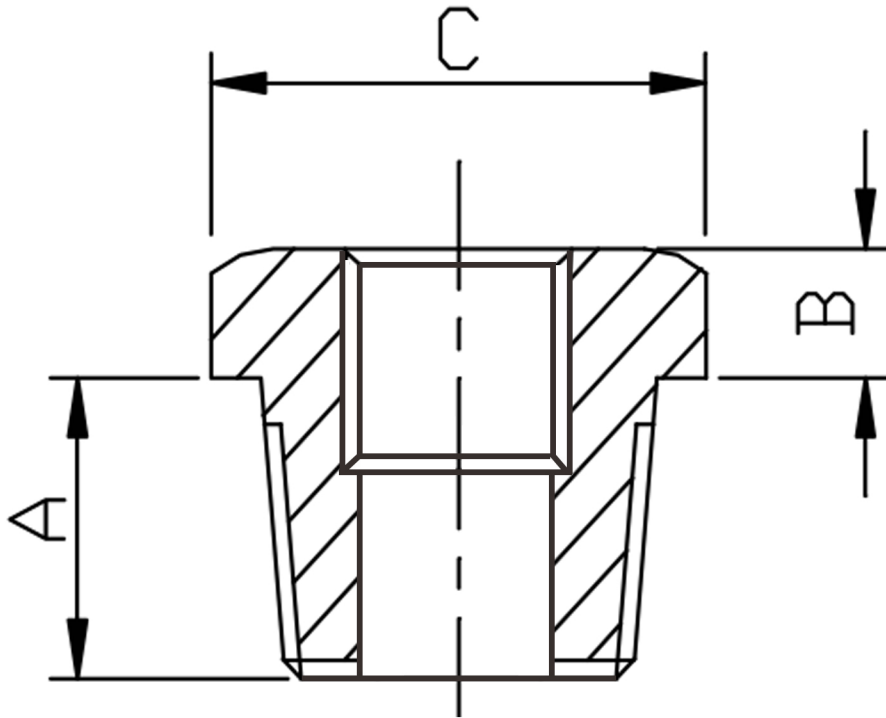


6K REDUCING BUSH NPT/BSPP 316L



SIZE NPT/BSPP	PART No	A	B	C	Kg/100
1/4-1/8	3RB0402NP	13	3	16	1.9
3/8-1/4	3RB0604NP	13	4	18	2.2
1/2-1/4	3RB0804NP	16	5	22	4.1
1/2-3/8	3RB0806NP	16	5	22	3.1
3/4-3/8	RB1206NP	18	6	28	6.5
3/4-1/2	3RB1208NP	18	6	28	5.6
1-1/2	3RB1608NP	21	6	35	13.6
1-3/4	3RB1612NP	21	6	35	9.5

*NPT threads to ANSI 2.1

*Dimensions to ANSI B16.11/BS3799

*6000 LB rating

*Sizes 1/8" to 1"

*316L stainless steel

*Larger sizes are available

DIMENSIONS SUBJECT TO CHANGE, PLEASE CONTACT US IF CRITICAL