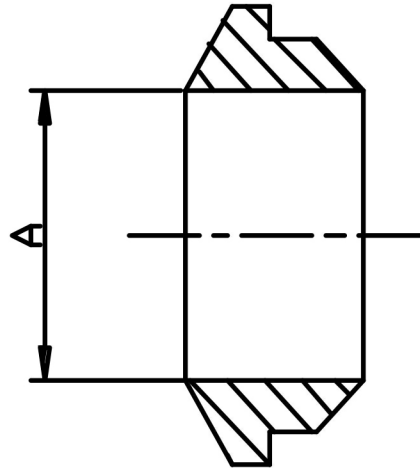


### REAR FERRULE (METRIC)



A TUBE	PART No	Kg/100
4	4mRC	0.05
6	6mRC	0.10
8	8mRC	0.15
10	10mRC	0.17
12	12mRC	0.20
15	15mRC	0.20
16	16mRC	0.20
20	20mRC	0.25
22	22mRC	0.28
25	25mRC	0.30

\*316 Stainless Steel

\*Metric sizes 4mm to 25mm

\*To be used with front ferrule

\*\*DIMENSIONS SUBJECT TO CHANGE, PLEASE CONTACT US IF CRITICAL\*\*