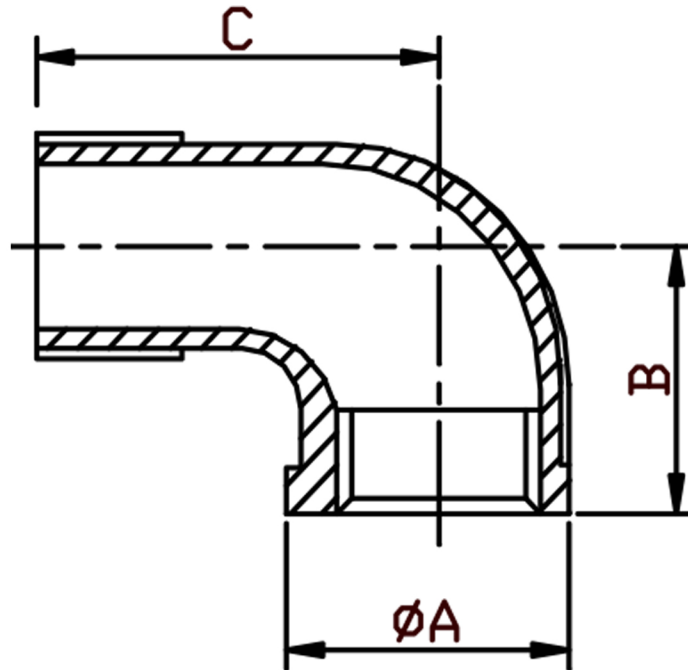


### 90° STREET ELBOW BSPT/BSPP 316L



SIZE	PART No	A	B	C	Kg/100
1/8	SE02	14.5	15.4	23	2.45
1/4	SE04	18	17.6	27	3.95
3/8	SE06	22	20.5	30	6.40
1/2	SE08	27.5	23.5	36	7.45
3/4	SE12	33.7	27	41	11.10
1	SE16	40	31	48	17.65
1-1/4	SE20	49	37	54.5	30.80
1-1/2	SE24	55	41	60	37.30
2	SE32	68	51.5	73	70.87
2-1/2	SE40	85.9	62.5	87	107.66
3	SE48	101	79.3	106.5	204.80
4	SE64	131.5	100.5	126.3	328.50

\*Pressure rating up to 20 BAR (300 PSI)

\*Female threads are BSPP (Parallel) to ISO 228-1

\*Male threads are BSPT (Taper) to ISO 7-1

\*316 CF8M stainless steel

\*Investment castings

\*Sizes 1/8" to 4"

\*\*DIMENSIONS SUBJECT TO CHANGE, PLEASE CONTACT US IF CRITICAL\*\*