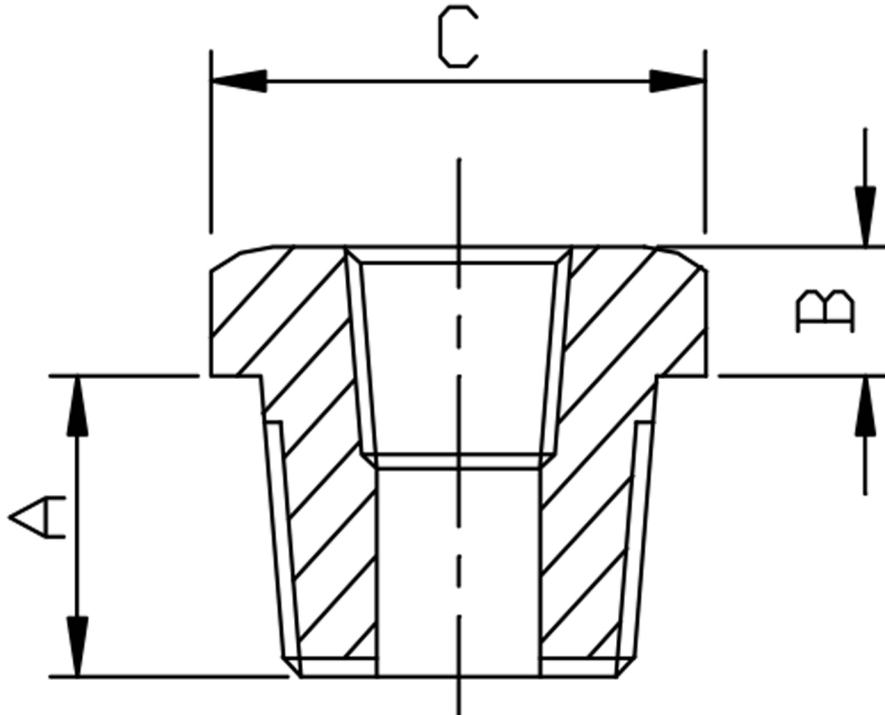


6K REDUCING BUSH BSPT 316L



SIZE	PART No	A	B	C	Kg/100
1/4 X 1/8	3RB0402T	13	3	16	1.9
3/8 X 1/8	3RB0602T	13	4	18	2.8
3/8 X 1/4	3RB0604T	13	4	18	2.2
1/2 X 1/4	3RB0804T	16	5	22	4.1
1/2 X 3/8	3RB0806T	16	5	22	3.1
3/4 X 3/8	3RB1206T	18	6	28	6.5
3/4 X 1/2	3RB1208T	18	6	28	5.6
1 X 3/8	3RB1606T	21	6	35	14.0
1 X 1/2	3RB1608T	21	6	35	13.6
1 X 3/4	3RB1612T	21	6	35	9.5
1-1/4 X 1/2	3RB2008T	22	7	47	20.0
1-1/4 X 3/4	3RB2012T	22	7	47	19.4
1-1/4 X 1	3RB2016T	22	7	47	18.4
1-1/2 X 3/4	3RB2412T	22	8	52	30.0
1-1/2 X 1	3RB2416T	22	8	52	28.6
1-1/2 X 1-1/4	3RB2420T	22	8	52	26.0
2 X 1	3RB3216T	24	9	64	45.0
2 X 1-1/4	3RB3220T	24	9	64	42.0
2 X 1-1/2	3RB3224T	24	9	64	39.0

*BSPT threaded to ISO 7-1

*Dimensions to ANSI B16.11/BS3799

*6000 LB rating

*Sizes 1/8" to 2"

*316L stainless steel

*Larger sizes are available

DIMENSIONS SUBJECT TO CHANGE, PLEASE CONTACT US IF CRITICAL