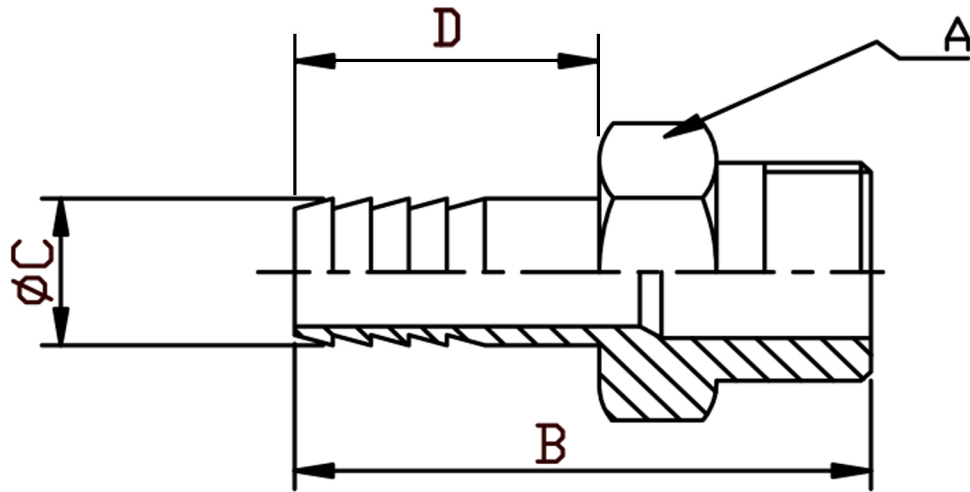


HOSETAIL NPT 316L



SIZE THREAD	SIZE C HOSE	PART No	A	B	D	Kg/100
1/4	6.30	HT04N	15	38	20	3.3
1/4	8.00	HT05N	14.5	47.2	29.2	3.4
3/8	9.50	HT06N	19	51.5	32	5.7
1/2	12.70	HT08N	23.2	6.3	38.5	6.05
3/4	19.05	HT12N	29	66	38	10.05
1	25.40	HT16N	34.8	71	42.2	21.25
1-1/4	31.80	HT20N	45	77.8	46	24.75
1-1/2	38.10	HT24N	50	89.5	55	38.15
2	50.80	HT32N	61.3	96.2	59.5	60.5

*Pressure rating up to 20 BAR (300 PSI)

*Threads are NPT to ANSI B2.1

*316 CF8M stainless steel

*Investment castings

*Sizes 1/8" to 2"

DIMENSIONS SUBJECT TO CHANGE, PLEASE CONTACT US IF CRITICAL