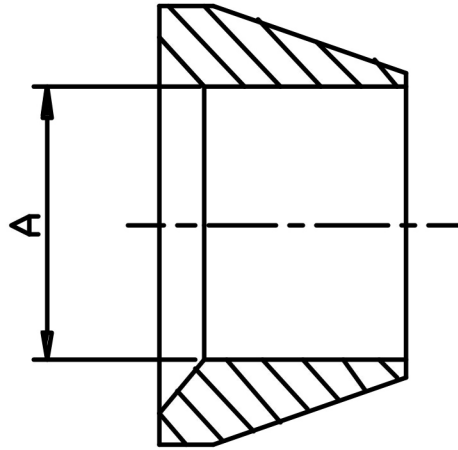


### FRONT FERRULE (FRACTIONAL)



A TUBE	PART No	Kg/100
1/8	2FC	0.05
3/16	3FC	0.10
1/4	4FC	0.10
5/16	5FC	0.20
3/8	6FC	0.25
1/2	8FC	0.30
5/8	10FC	0.40
3/4	12FC	0.45
1	16FC	1.20

\*316 Stainless Steel

\*Fractional sizes 1/8" to 1"

\*To be used with rear ferrule

\*\*DIMENSIONS SUBJECT TO CHANGE, PLEASE CONTACT US IF CRITICAL\*\*