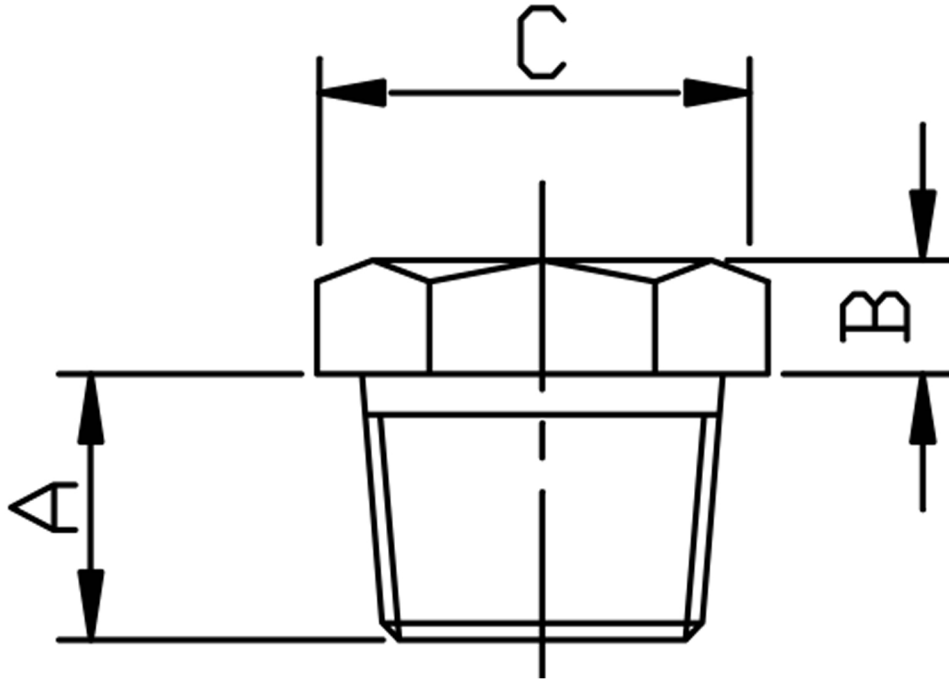


6K HEXAGON HEAD PLUG BSPT 316L



SIZE	PART No	A	B	C	Kg/100
1/8	3HP02T	9	6	11	1.3
1/4	3HP04T	13	6	16	2.9
3/8	3HP06T	13	8	18	4.4
1/2	3HP08T	16	8	22	6.8
3/4	3HP12T	18	10	28	12.6
1	3HP16T	21	10	35	22.1
1-1/4	3HP20T	22	14	47	45.4
1-1/2	3HP24T	22	16	52	58.7
2	3HP32T	24	17	64	101.2

*BSPT threaded to ISO 7-1

*Dimensions to ANSI B16.11/BS3799

*6000 LB rating

*Sizes 1/8" to 2"

*316L stainless steel

*Larger sizes are available

****DIMENSIONS SUBJECT TO CHANGE, PLEASE CONTACT US IF CRITICAL****