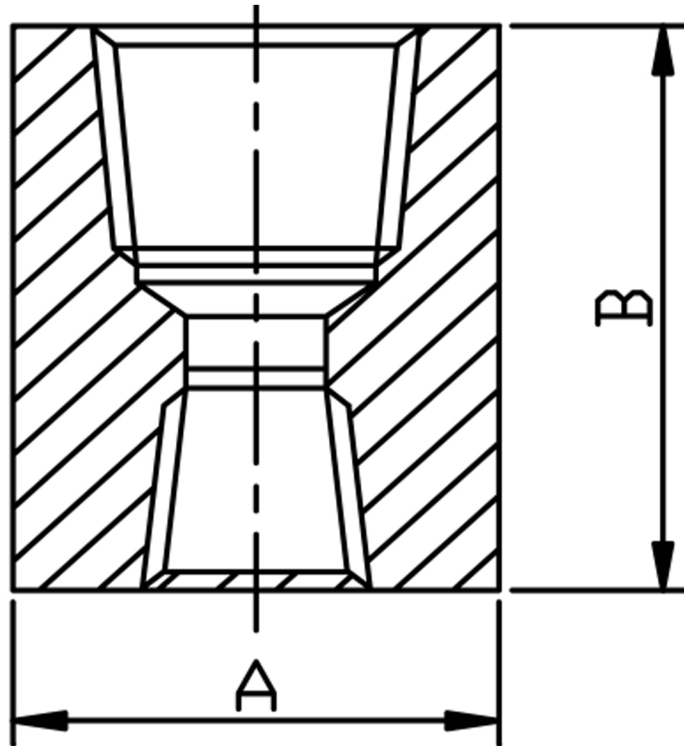


### REDUCING COUPLING NPT 316L



SIZE	PART No	A	B	Kg/100
1/4 X 1/8	3RS0402N	19	35	6.0
3/8 X 1/4	3RS0604N	25	38	7.2
1/2 X 1/4	3RS0804N	29	48	17.0
1/2 X 3/8	3RS0806N	29	48	15.3
3/4 X 3/8	3RS1206N	35	51	27.0
3/4 X 1/2	3RS1208N	35	51	24.2
1 X 1/2	3RS1608N	45	60	52.0
1 X 3/4	3RS1612N	45	60	50.3
1-1/4 X 3/4	3RS2012N	57	67	105.0
1-1/4 X 1	3RS2016N	57	67	102.8
1-1/2 X 1	3RS2416N	64	79	148.0
1-1/2 X 1-1/4	3RS2420N	64	79	130.0
2 X 1-1/4	3RS3220N	76	86	180.0
2 X 1-1/2	3RS3224N	76	86	167.6

\*NPT threaded to ANSI B2.1

\*Dimensions to ANSI B16.11/BS3799

\*3000 LB rating

\*Sizes 1/8" to 2"

\*316L stainless steel

\*Larger sizes are available

\*\*DIMENSIONS SUBJECT TO CHANGE, PLEASE CONTACT US IF CRITICAL\*\*