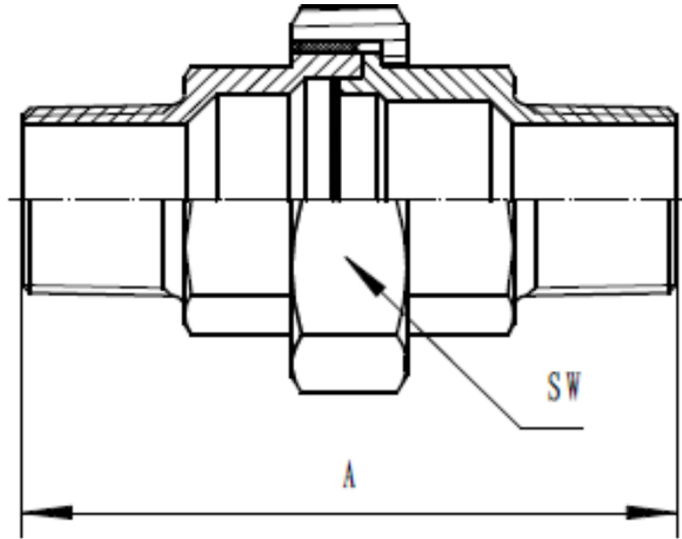


### UNION FLAT SEAT TEFLON GASKET MALE BSPT 316L



SIZE	PART No	SW	A	Kg/100
1/8	UFMM02	29.1	42	8.90
1/4	UFMM04	29.1	44.5	10.85
3/8	UFMM06	34	48.5	15.20
1/2	UFMM08	37.5	68	16.35
3/4	UFMM12	44.5	75	23.05
1	UFMM16	53.5	87.5	40.15
1-1/4	UFMM20	64	93	54.40
1-1/2	UFMM24	71.5	103	72.35
2	UFMM32	85.5	115	105.45

- \*Pressure rating up to 20 BAR (300 PSI)
- \*Male threads are BSPT (Taper) to ISO 7-1
- \*316 CF8M stainless steel
- \*Investment castings
- \*Sizes 1/8" to 2"

**\*\*DIMENSIONS SUBJECT TO CHANGE, PLEASE CONTACT US IF CRITICAL\*\***