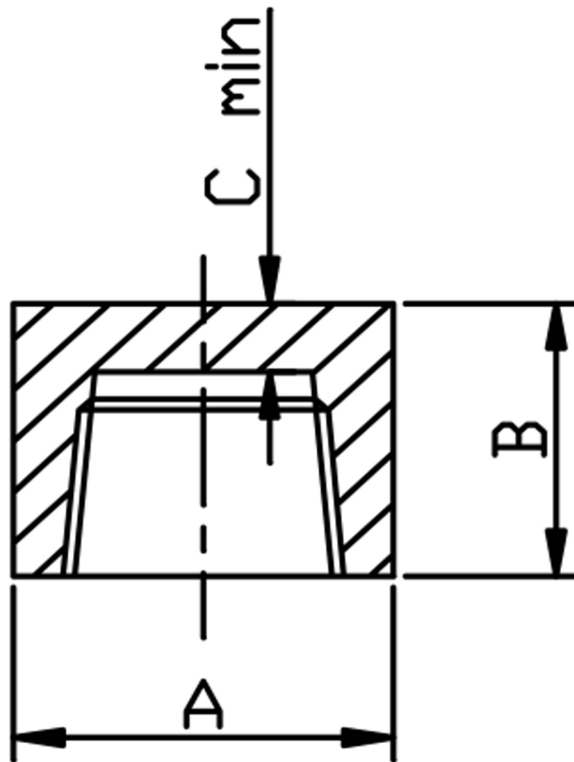


ROUND CAP NPT 316L



SIZE	PART No	A	B	C	Kg/100
1/8	3RC02N	16	19	5.0	4.0
1/4	3RC04N	19	25	5.0	5.1
3/8	3RC06N	22	25	5.0	5.4
1/2	3RC08N	29	32	6.5	10.6
3/4	3RC12N	35	37	6.5	18.6
1	3RC16N	44	41	9.5	35.6
1-1/4	3RC20N	57	44	9.5	53.1
1-1/2	3RC24N	64	44	11.0	78.2
2	3RC32N	76	48	12.5	103.3

*NPT threaded to ANSI B2.1

*Dimensions to ANSI B16.11/BS3799

*3000 LB rating

*Sizes 1/8" to 2"

*316L stainless steel

*Larger sizes are available

DIMENSIONS SUBJECT TO CHANGE, PLEASE CONTACT US IF CRITICAL